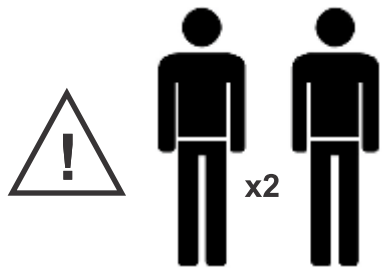
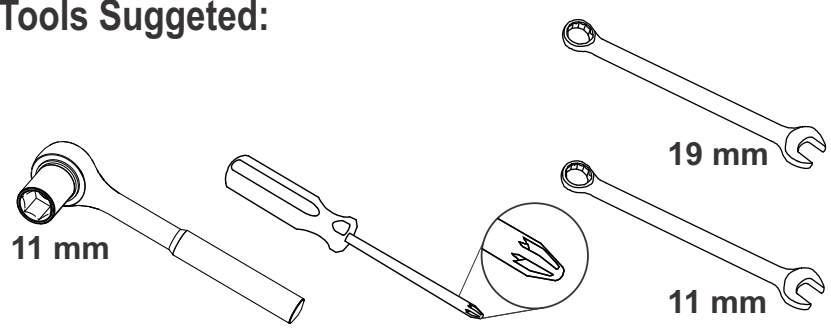
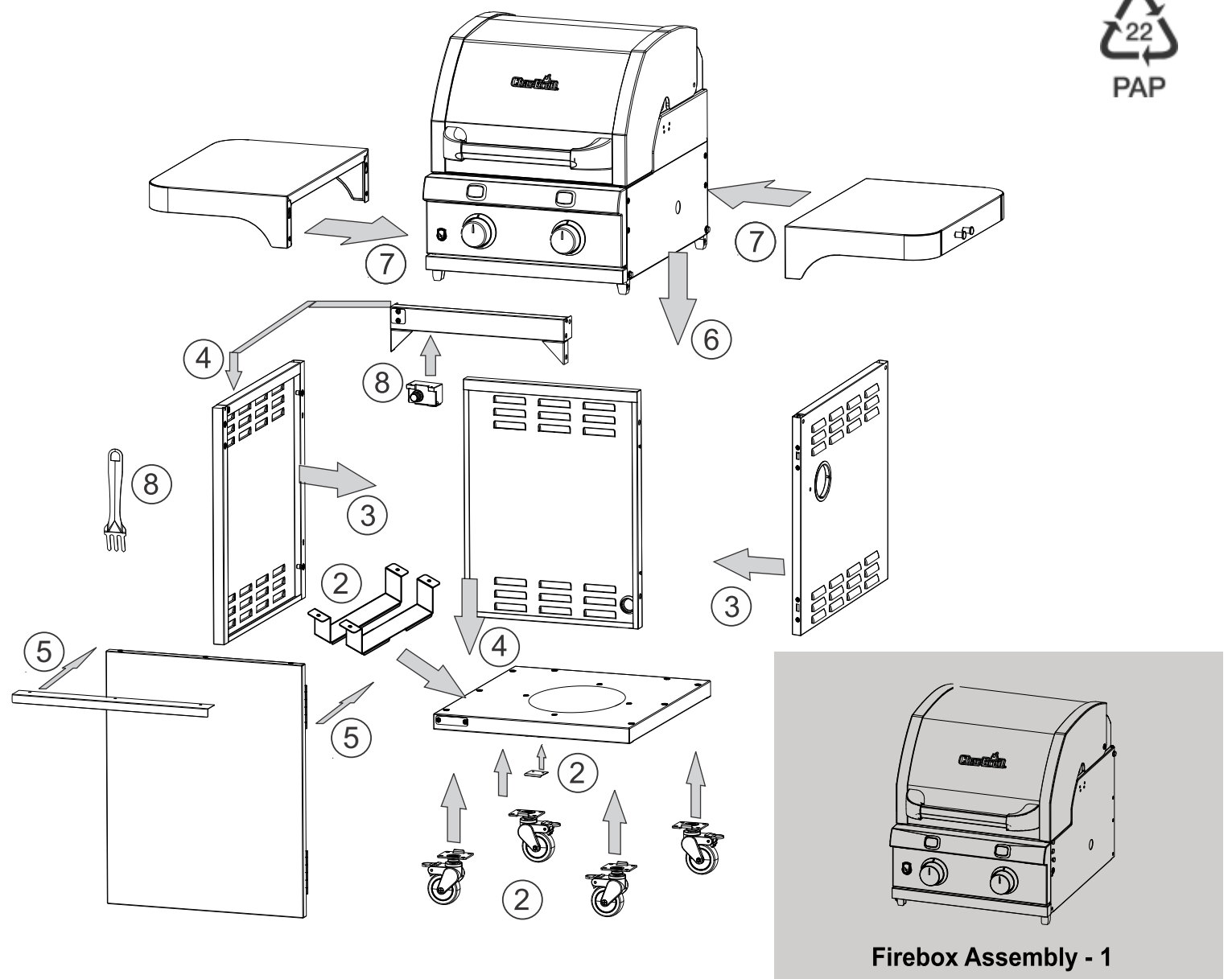


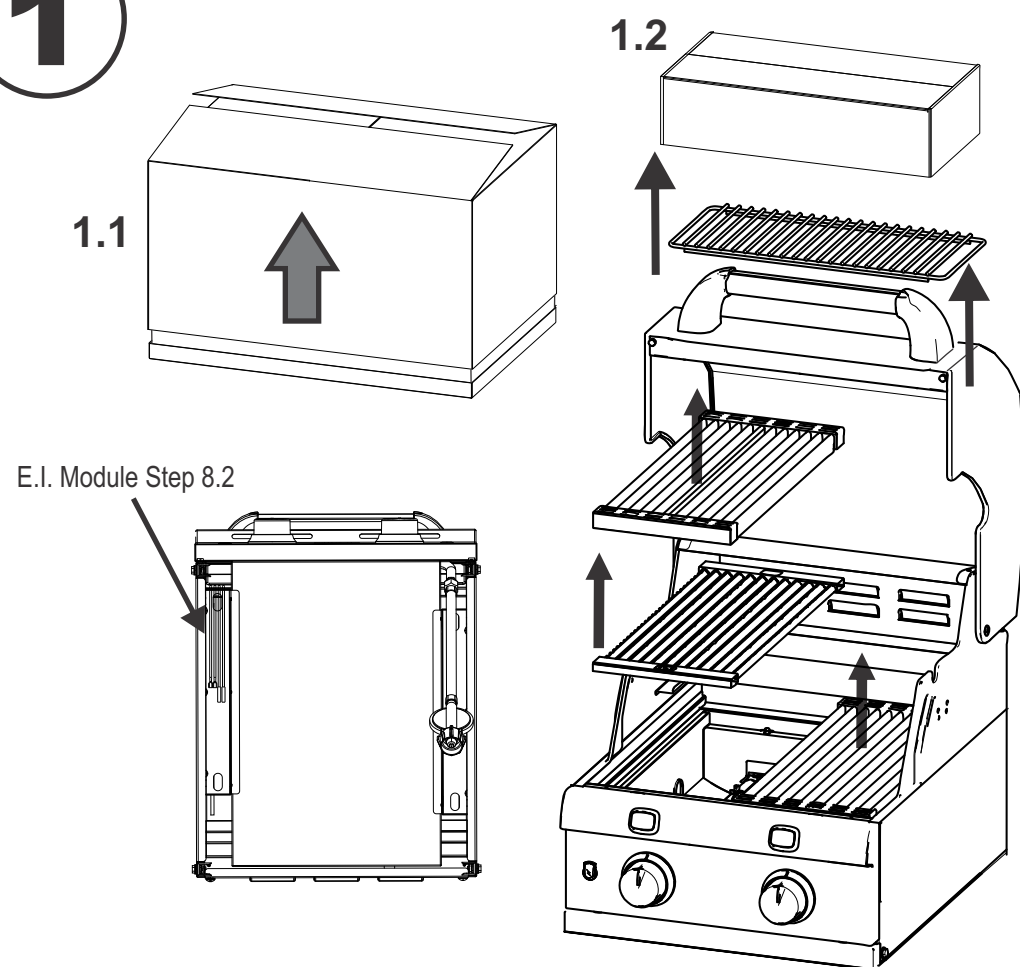
Tools Suggested:



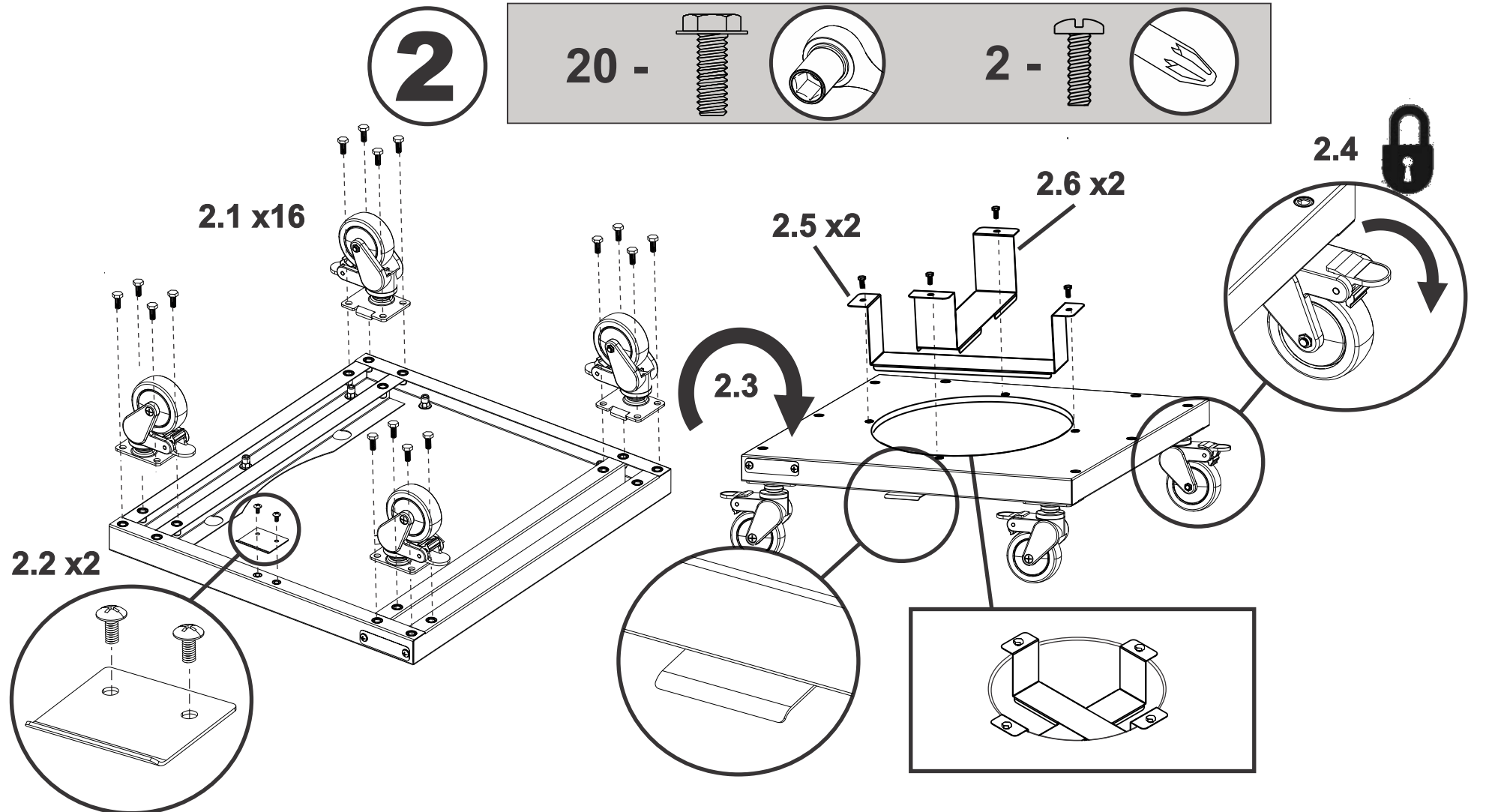
NOTE: Assemble your grill on a clean, level surface.



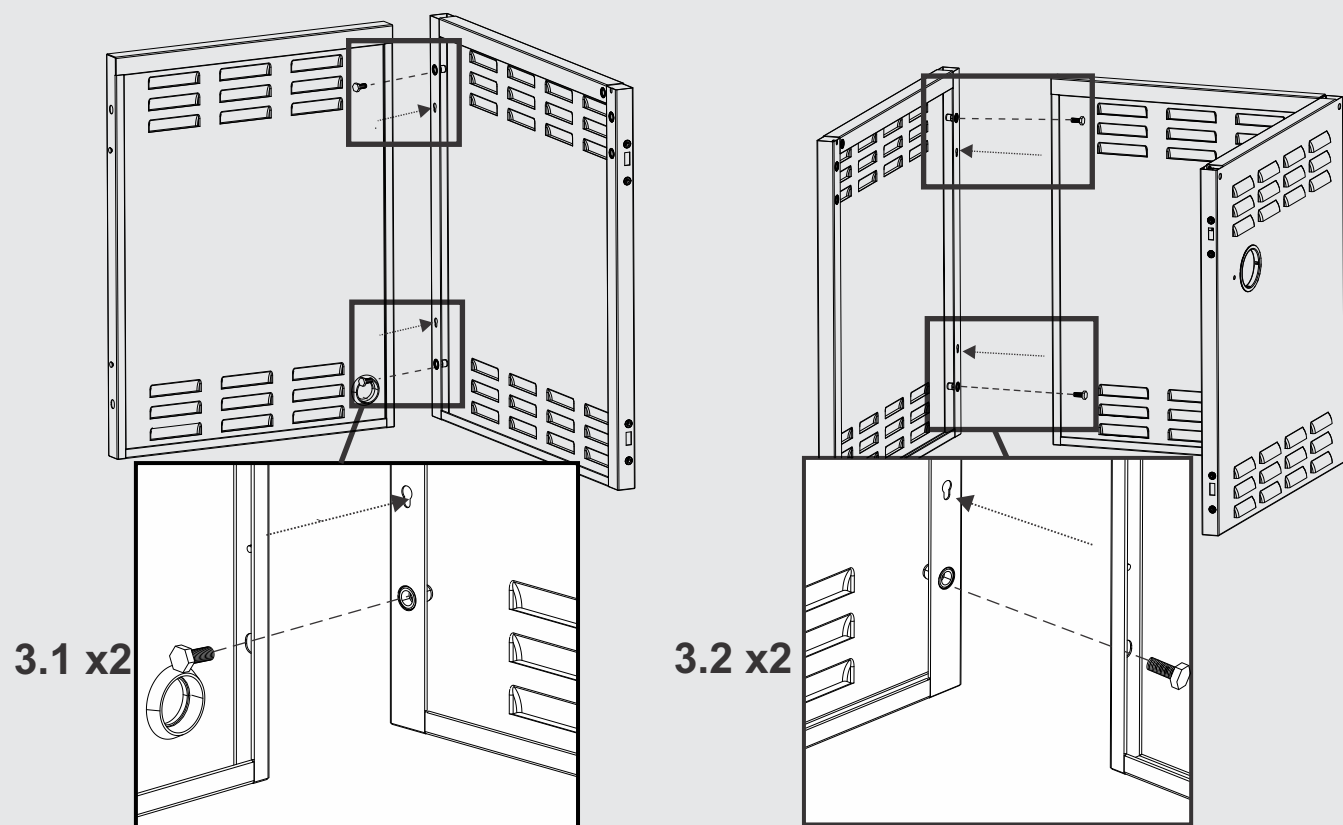
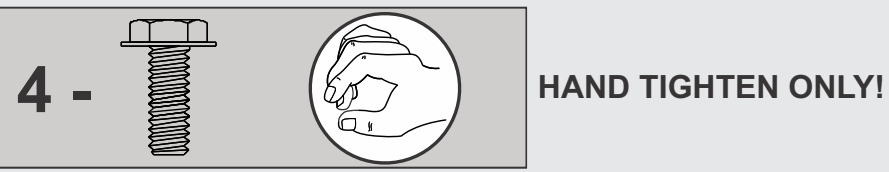
1



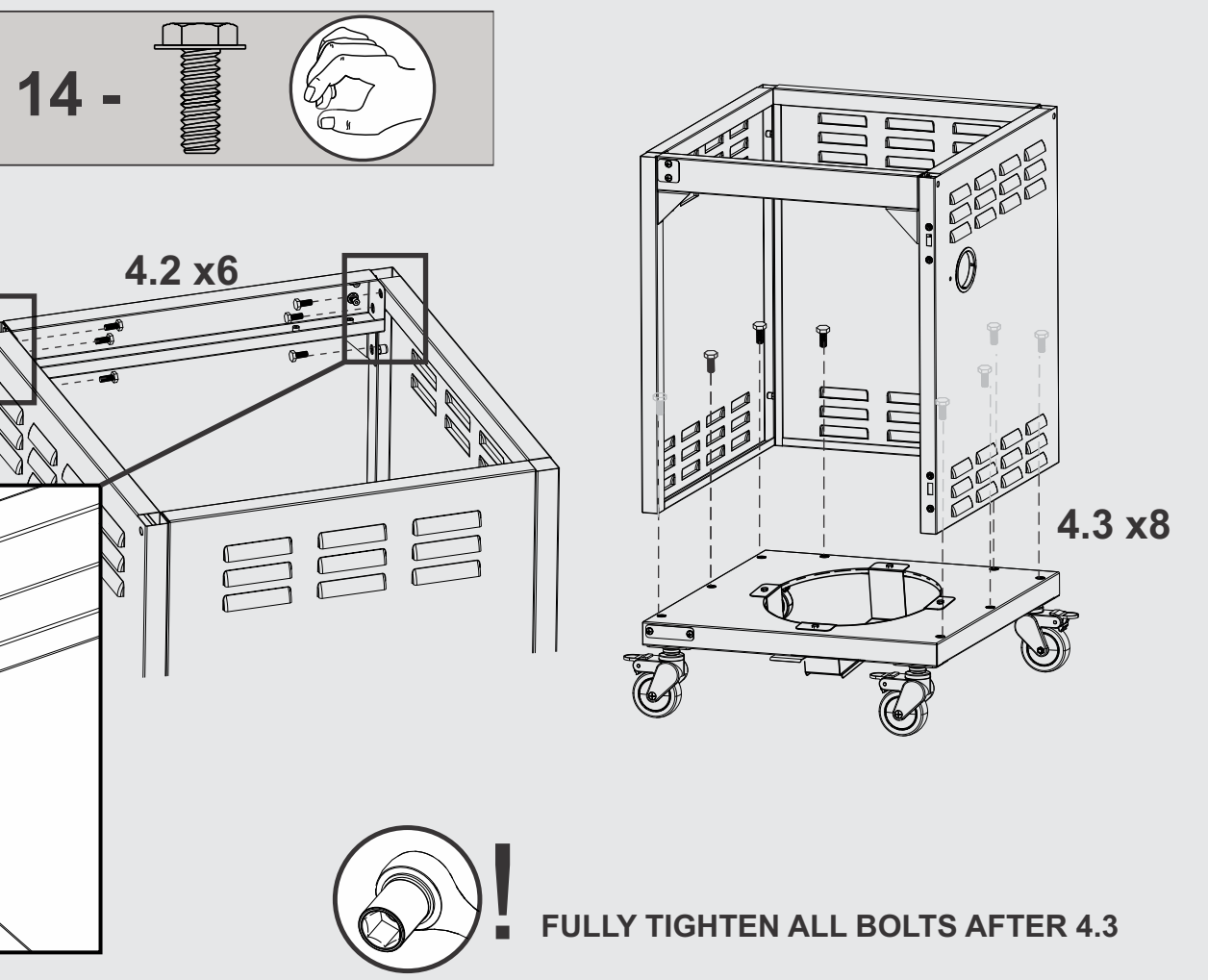
2



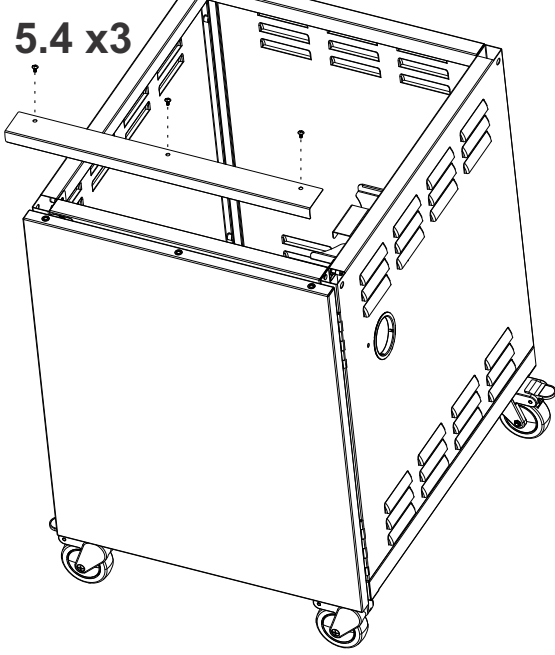
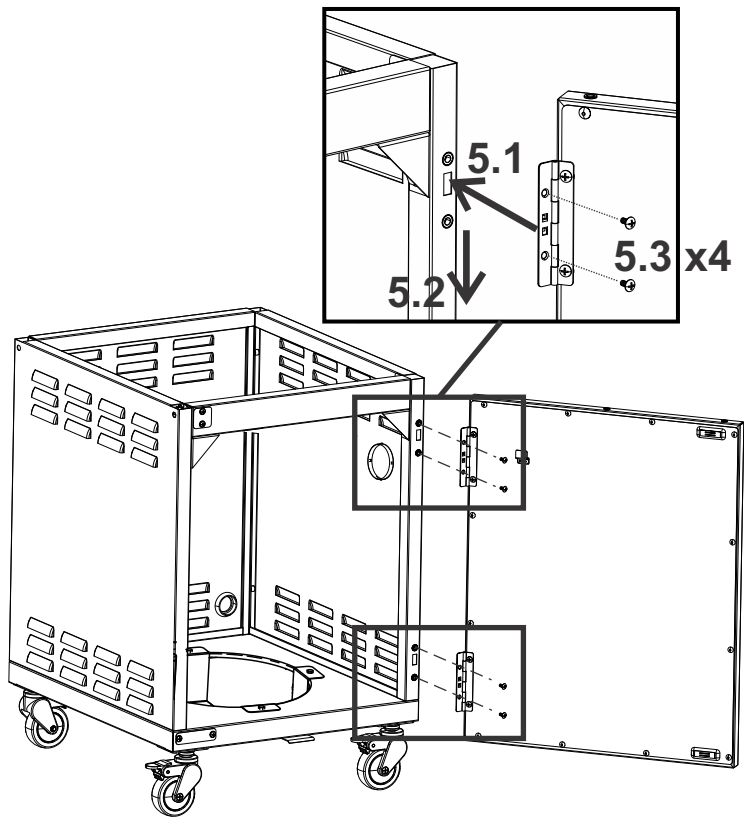
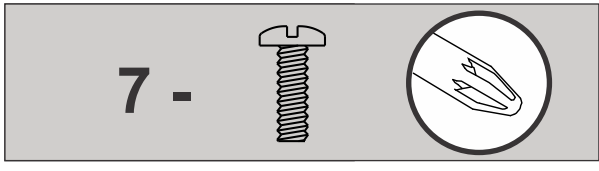
3



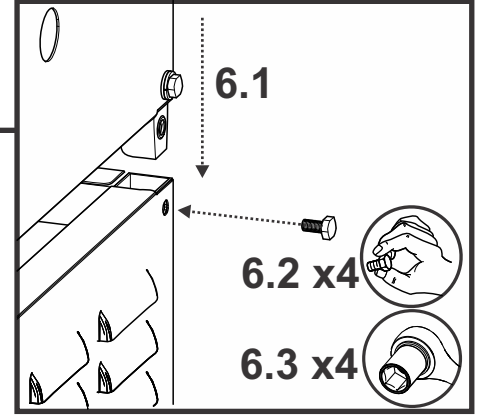
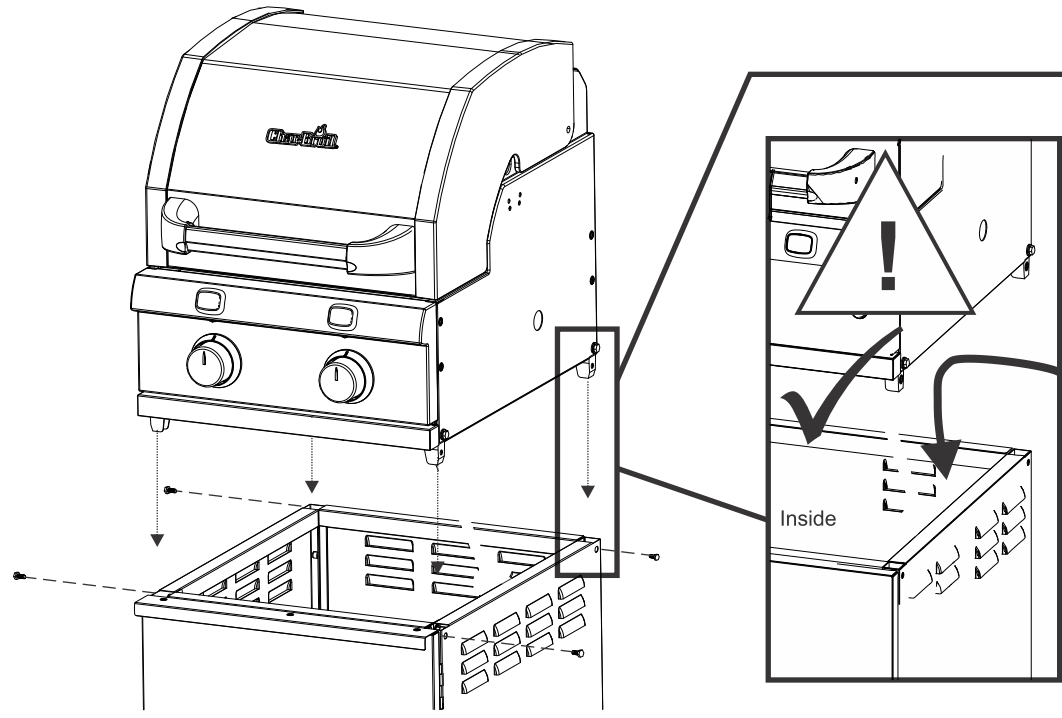
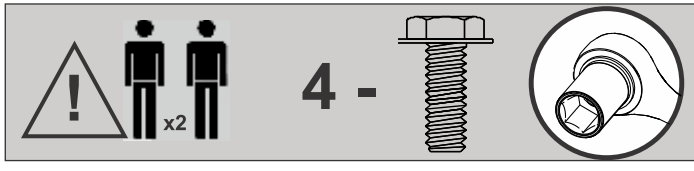
4



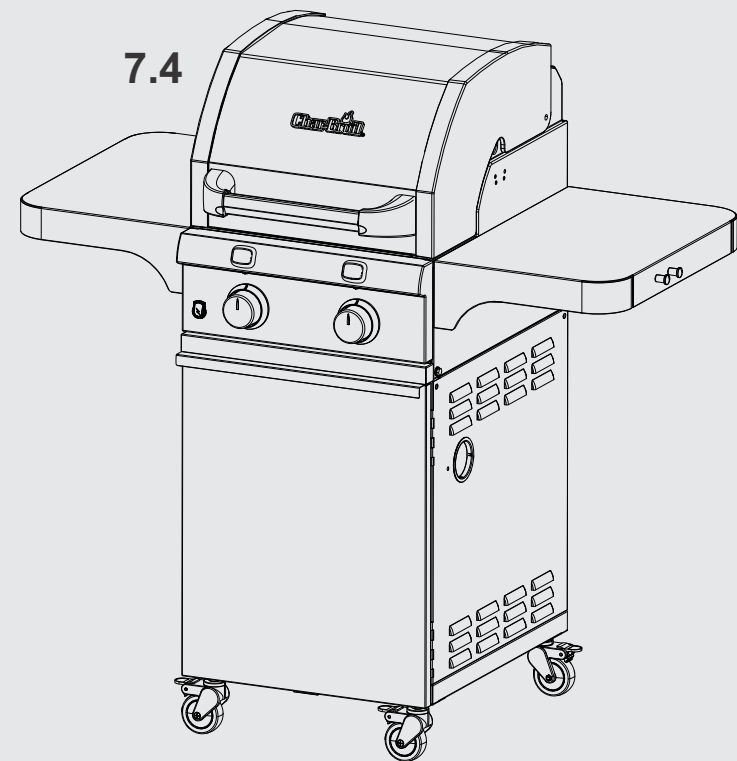
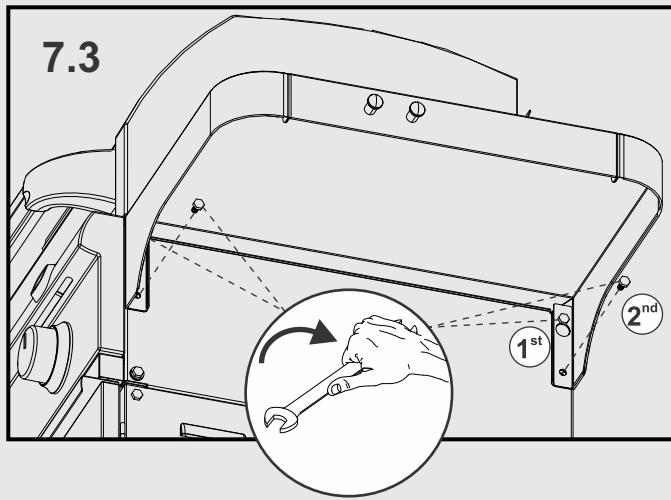
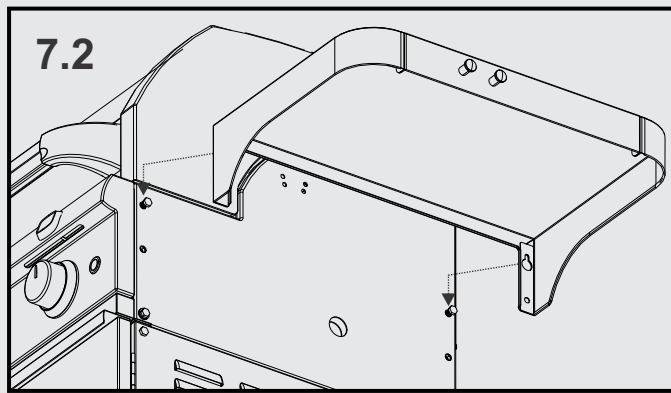
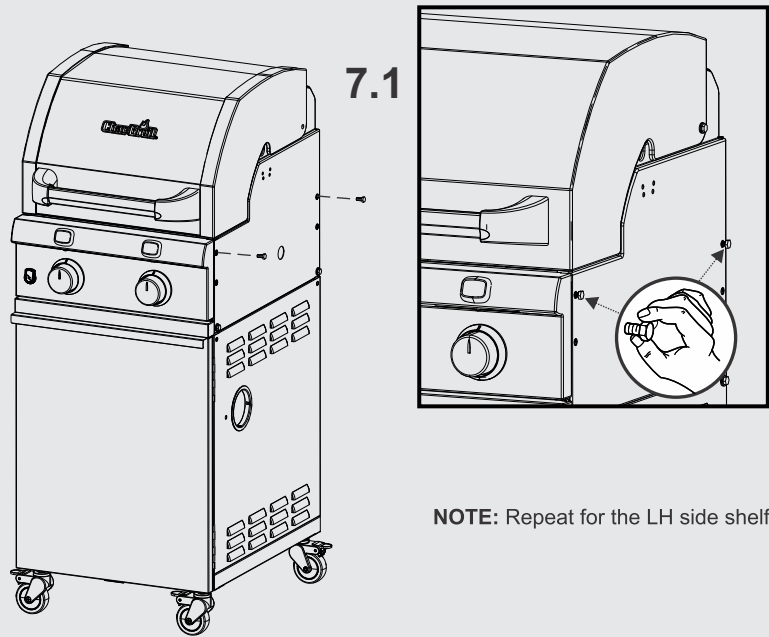
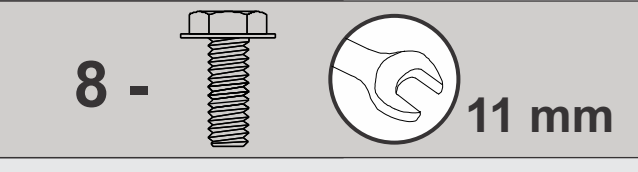
5



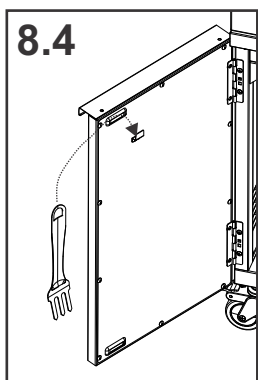
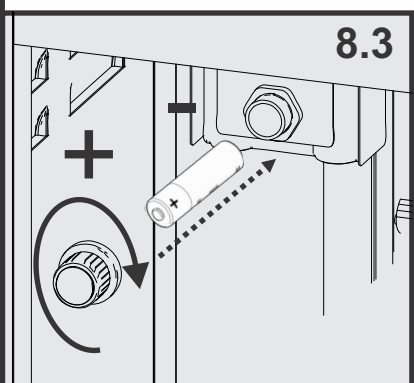
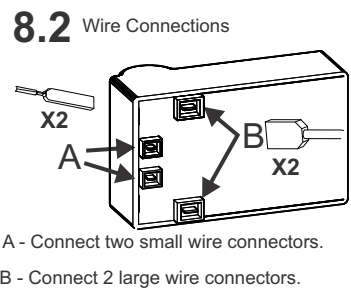
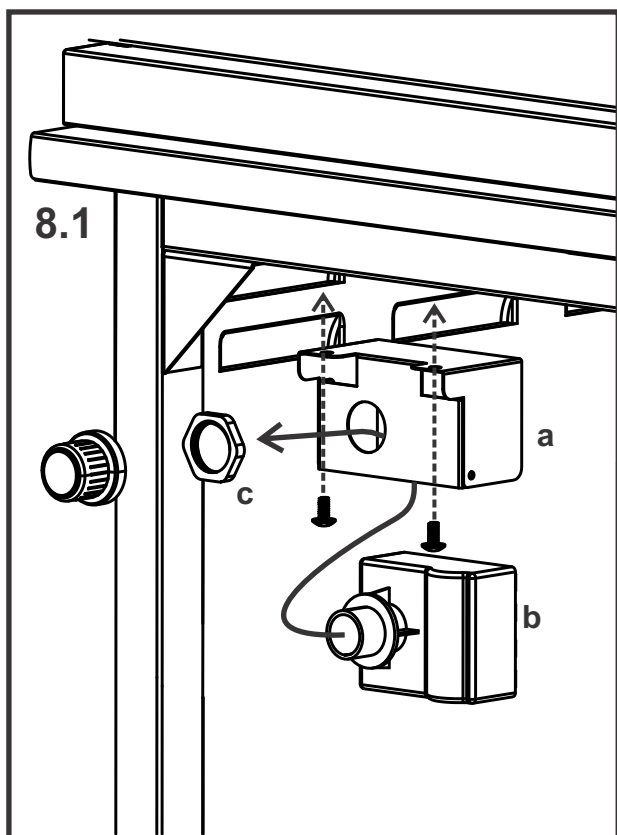
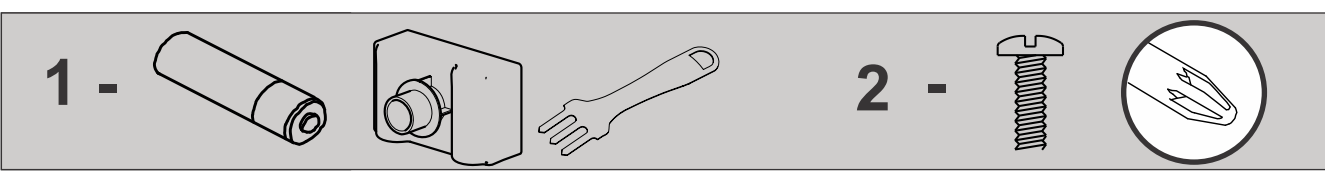
6



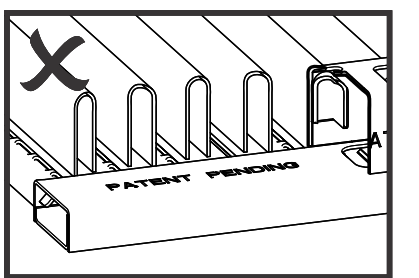
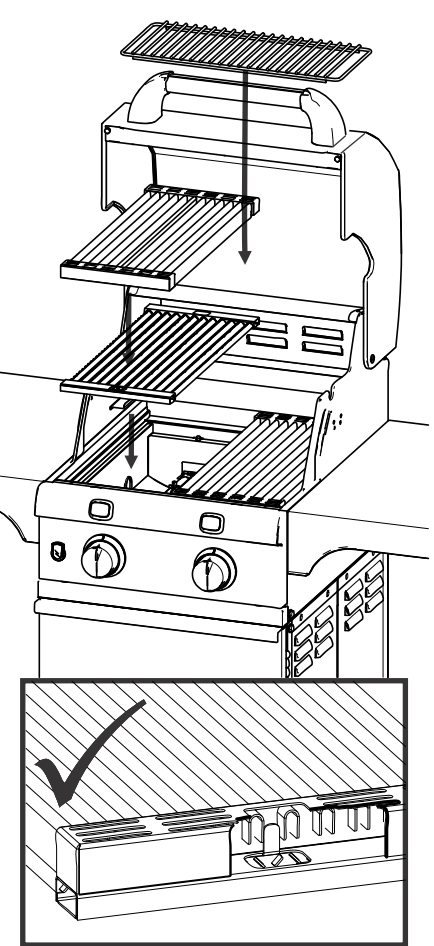
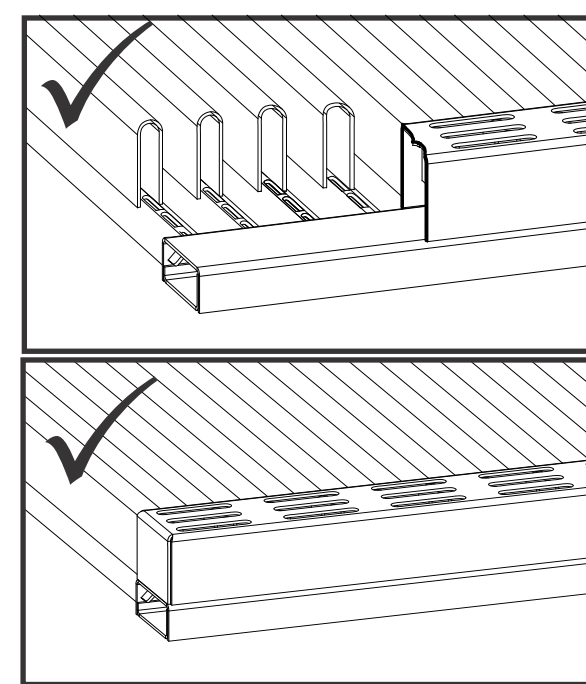
7



8



9



Before first use, please read all safety and operating instructions contained in your Product Guide.

10

